

**Technical**

# **Valves, Gauges & Switches**

## Valves, Gauges & Switches Technical Information

### Brass Ball Valves

Full flow - PN25

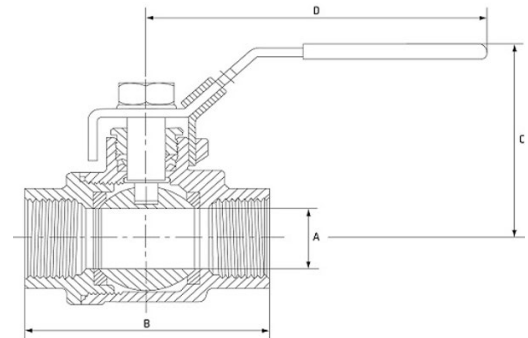
Thread - ISO 228 - (Parallel)

#### Materials:

Part	Material
Body	Brass (Nickel Plated)
Seat Retainer	Brass (Nickel Plated)
Seat	P.T.F.E.
Ball	Brass (Chromium Plated)
Stem	Brass
Gland	Brass
Packing	Viton (Double O-Ring)
Lever	Stainless Steel (Plastic Coated)
Lever Retaining Nut	Stainless Steel

### Stainless Steel 2 Piece Ball Valve

- 316 grade stainless steel
- BSP threaded ends
- Maximum pressure 1000 PSI / 69 Bar W.O.G. (water, oil, gas)
- PTFE seal maximum temperature 250°C
- Full port
- Lockable latch handle
- Red handle sleeve available for hot water indication

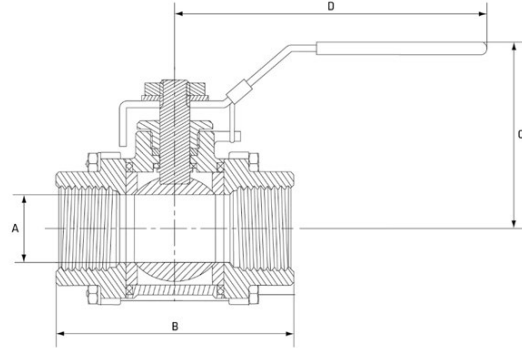


Part No.	A	B	C	D
<b>SSBV152P</b>	15	57	55	95
<b>SSBV202P</b>	20	65	59	110
<b>SSBV252P</b>	25	78	73	135
<b>SSBV322P</b>	32	90.5	78	135
<b>SSBV402P</b>	38	105	91	147
<b>SSBV502P</b>	50	127	99	165
<b>SSBV652P</b>	65	160	130	215
<b>SSBV802P</b>	80	180	142	215

## Valves, Gauges & Switches Technical Information

### Stainless Steel 3 Piece Ball Valve

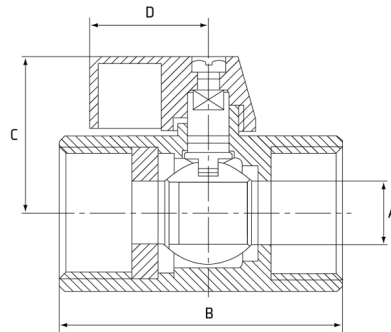
- 316 grade stainless steel
- BSP threaded ends
- Maximum pressure 1000 PSI / 69 Bar W.O.G. (water, oil, gas)
- PTFE seal maximum temperature 250°C
- Full port
- Lockable latch handle
- Red handle sleeve available for hot water indication
- 3 piece ball valves with ISO mounting pad also available



Part No.	A	B	C	D
SSBV153P	15	64	52	95
SSBV203P	20	75	56	110
SSBV253P	25	85	70	135
SSBV323P	32	97	75	135
SSBV403P	38	110	87	147
SSBV503P	50	132	95	165
SSBV653P	65	167	124	215
SSBV803P	80	187	136	215
SSBV1003P	100	230	160	310

### Stainless Steel Mini Ball Valve - Female/Female

- 316 grade stainless steel
- BSP threaded ends
- Reduced port
- Maximum pressure 900 PSI / 63 Bar
- EPDM seal maximum temperature 120°C

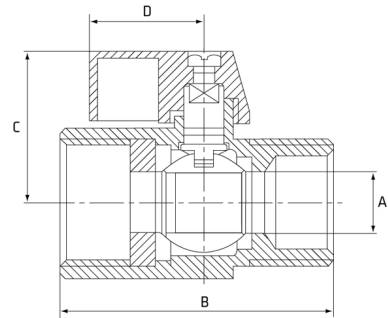


Part No.	A	B	C	D
SSMBVFF08	8	42	27	22
SSMBVFF10	8	42	27	22
SSMBVFF15	9.2	46	29.5	22

## Valves, Gauges & Switches Technical Information

### Stainless Steel Mini Ball Valve - Male/Female

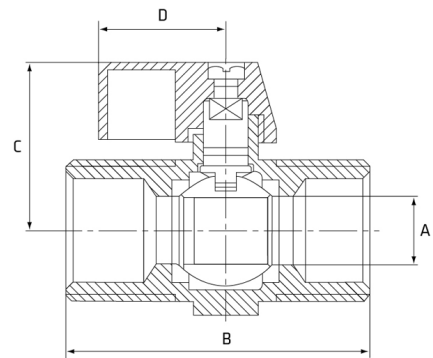
- 316 grade stainless steel
- BSP threaded ends
- Reduced port
- Maximum pressure 900 PSI / 63 Bar
- EPDM seal maximum temperature 120°C



Part No.	A	B	C	D
SSMBVMF08	8	39	27	22
SSMBVMF10	8	39	27	22
SSMBVMF15	9.2	46	29.5	22

### Stainless Steel Mini Ball Valve - Male/Male

- 316 grade stainless steel
- BSP threaded ends
- Reduced port
- Maximum pressure 900 PSI / 63 Bar
- EPDM seal maximum temperature 120°C

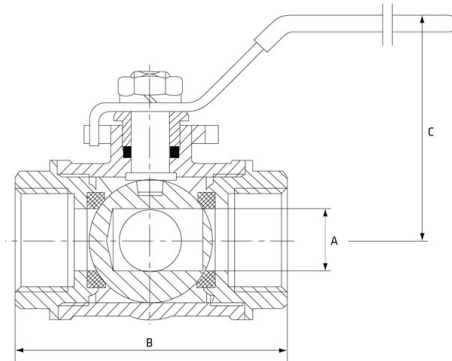


Part No.	A	B	C	D
SSMBVMM08	8	48	27	22
SSMBVMM10	8	48	27	22
SSMBVMM15	9.2	58	29.5	22

## Valves, Gauges & Switches Technical Information

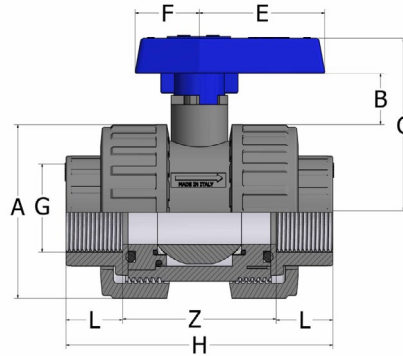
### Stainless Steel 3 Way Ball Valve 'L' and 'T' Port

- 316 grade stainless steel
- BSP threaded ends
- Maximum pressure 1000 PSI / 69 Bar W.O.G. (water, oil, gas)
- PTFE seal maximum temperature 250°C
- Lockable latch handle
- ISO5211 mounting pad
- Reduced port



Part No.	A	B	C
SS083WBVL/T	12.7	64	60
SS103WBVL/T	12.7	64	60
SS153WBVL/T	12.7	75	60
SS203WBVL/T	16	84	73
SS253WBVL/T	20	101	80
SS323WBVL/T	25	119	85
SS403WBVL/T	32	130	103
SS503WBVL/T	38	151	110

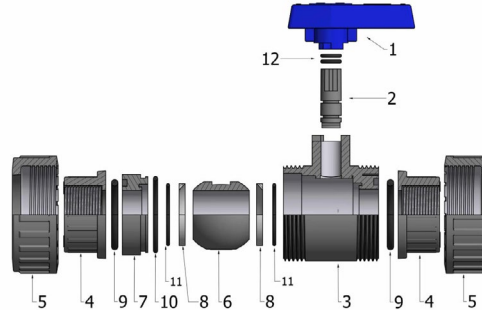
### Double Union PVC Ball Valve - BSP



Part No.	G	DN	L	Z	H	A	B	C	E	F	PN
BVDU15T	1/2"	15	16	49	81	50	10	48	39	19	16
BVDU20T	3/4"	20	19	56	94	60	11	54	47	22	16
BVDU25T	1"	25	22	63	107	68	13	62	55	25	16
BVDU32T	1 1/4"	32	26	72	124	80	18	75	60	30	16
BVDU40T	1 1/2"	40	31	84	146	96	20	87	68	35	16
BVDU50T	2"	50	38	94	170	116	20	101	80	40	16
BVDU65T	2 1/2"	65	44	130	218	145	25	123	90	45	10
BVDU80T	3"	80	51	148	250	166	28	138	100	50	10
BVDU100T	4"	100	61	168	290	210	28	160	120	60	10

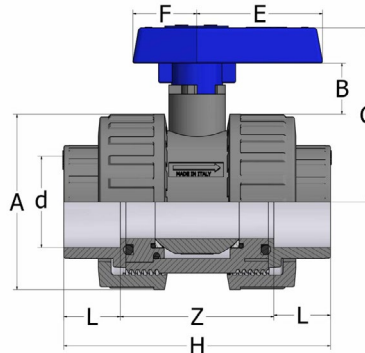
## Valves, Gauges & Switches Technical Information

### Components



Part No.	Component	Material
1	Handle	U-PVC
2	Stem	U-PVC
3	Body	U-PVC
4	Threaded Union End	U-PVC
5	Union Nut	U-PVC
6	Ball	U-PVC
7	Sealing Bush	U-PVC
8	Ball Seat	PTFE
9	Union O-ring	EPDM
10	O-ring Sealing Bush	EPDM
11	O-ring Ball Seat	EPDM
12	O-ring Stem	EPDM

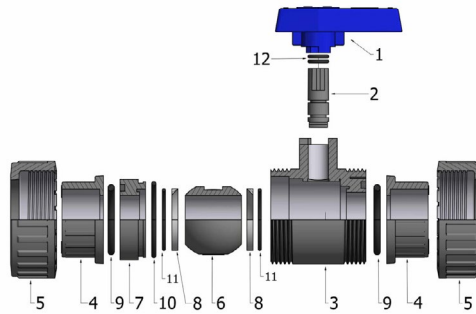
### Double Union PVC Ball Valve – Solvent Joint



Part No.	D	DN	L	Z	H	A	B	C	E	F	PN
<b>BVDU15S</b>	21.3	15	16	49	81	50	10	48	39	19	16
<b>BVDU20S</b>	26.7	20	19	56	94	60	11	54	47	22	16
<b>BVDU25S</b>	33.5	25	22	63	107	68	13	62	55	25	16
<b>BVDU32S</b>	42.3	32	26	72	124	80	18	75	60	30	16
<b>BVDU40S</b>	48.2	40	31	84	146	96	20	87	68	35	16
<b>BVDU50S</b>	60.3	50	38	94	170	116	20	101	80	40	16
<b>BVDU65S</b>	75.3	65	44	130	218	145	25	123	90	45	10
<b>BVDU80S</b>	89.1	80	51	148	250	166	28	138	100	50	10
<b>BVDU100S</b>	114.3	100	61	168	290	210	28	160	120	60	10

## Valves, Gauges & Switches Technical Information

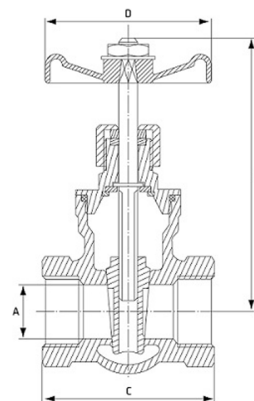
### Components



Part No.	Component	Material
1	Handle	U-PVC
2	Stem	U-PVC
3	Body	U-PVC
4	Threaded Union End	U-PVC
5	Union Nut	U-PVC
6	Ball	U-PVC
7	Sealing Bush	U-PVC
8	Ball Seat	PTFE
9	Union O-ring	EPDM
10	O-ring Sealing Bush	EPDM
11	O-ring Ball Seat	EPDM
12	O-ring Stem	EPDM

### Stainless Steel Gate Valve

- 316 grade stainless steel
- BSP threaded ends
- Maximum pressure 1000 PSI / 69 Bar W.O.G. (water, oil, gas)
- Stainless steel body and gate
- Aluminium handwheel
- No seal

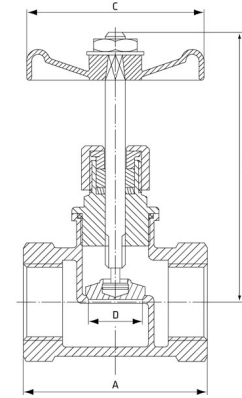


Part No.	A	B	C	D
SSGV15	15	92	55	70
SSGV20	20	97	60	70
SSGV25	25	108.5	65	80
SSGV32	32	123.5	76.5	80
SSGV40	38	146	85	90
SSGV50	50	162	95	100
SSGV65	65	260	116	100
SSGV80	80	295	131	120

## Valves, Gauges & Switches Technical Information

### Stainless Steel Globe Valve

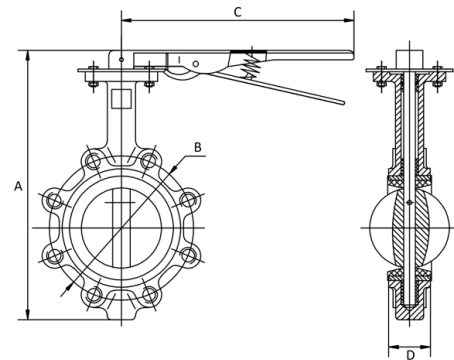
- 316 grade stainless steel
- BSP threaded ends
- Maximum pressure 1000 PSI / 69 Bar W.O.G. (water, oil, gas)
- Stainless steel body and globe
- Aluminium handwheel
- No seal



Part No.	A	B	C	D
SSGLV15	15	80	70	10
SSGLV20	20	86	70	15
SSGLV25	25	103	80	20
SSGLV32	32	105	80	25
SSGLV40	38	124	90	32
SSGLV50	50	138	100	40

### Lugged Cast Iron Butterfly Valve - SS Disc

- Cast iron, stainless steel disc
- Table E threaded stud pattern
- Maximum nominal working pressure 230 PSI / 16 Bar
- EPDM seal temperature rating 120°C
- EPDM is suitable for hot water, steam, alcohols, coolants, acids and bases
- Lockable lever with 10 position stainless steel notch plate



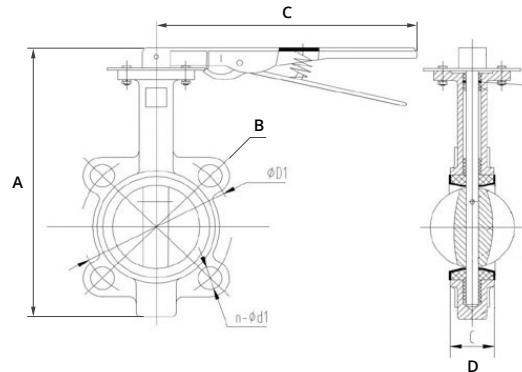
Part No.	Nominal Size	A	B	C	D
BFV50L	50	252	114	220	42
BFV65L	65	296	127	220	44.7
BFV80L	80	308	146	220	45.2
BFV100L	100	346	178	255	52.1
BFV125L	125	349	210	255	54.4
BFV150L	150	397	235	255	55.8
BFV200L	200	480	292	358	60.6
BFV250L	250	540	356	358	65.6
BFV300L	300	592	406	500	76.9



## Valves, Gauges & Switches Technical Information

### Wafer Cast Iron Butterfly Valve - SS Disc

- Cast iron, stainless steel disc
- Wafer bolt pattern
- Maximum nominal working pressure 230 PSI/16 Bar
- EPDM seal temperature rating 120°C
- EPDM is suitable for hot water, steam, alcohols, coolants, acids and bases
- Lockable lever with 10 position stainless steel notch plate
- 400mm comes with a gearbox option only



Part No.	Nominal Size	A	B	C	D
<b>BFV50W</b>	50	235	114	220	42
<b>BFV65W</b>	65	239	127	220	44.7
<b>BFV80W</b>	80	285	146	220	45.2
<b>BFV100W</b>	100	322	178	255	52.1
<b>BFV125W</b>	125	349	210	255	54.4
<b>BFV150W</b>	150	383	235	255	55.8
<b>BFV200W</b>	200	455	292	358	60.6
<b>BFV250W</b>	250	513	356	358	65.6
<b>BFV300W</b>	300	592	406	500	76.9

### Europa Brass Spring Check Valve

- Brass body
- Stainless steel plate
- NBR rubber washer
- Stainless steel spring
- Minimum and maximum working temperatures: -20°C to 100°C.
- Threads: ISO228 (equivalent to DIN EN ISO 228 and BS EN ISO 228)

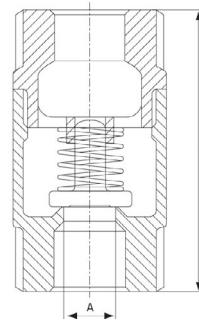


	1/2"	3/4"	1"	1 1/4"	1 1/2"	2"	2 1/2"	3"	4"
<b>DN</b>	15	20	25	32	40	50	65	80	100
<b>A</b>	58.5	65	74.5	83	93	101	122	141.5	158.5
<b>B</b>	34.5	41.5	48	60.5	71	87	120	140	172
<b>KG/CM² BAR</b>	25	25	25	18	18	18	12	12	12
<b>LSB - PSI</b>	362.5	362.5	362.5	261	261	261	174	174	174

## Valves, Gauges & Switches Technical Information

### Stainless Steel Spring Check Valves

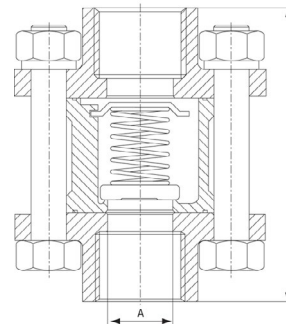
- 316 grade stainless steel
- BSP threaded ends
- Maximum pressure 230 PSI / 16 Bar
- No seal
- Stainless steel body and disc



Part No.	A	B
SSCV15	15	55
SSCV20	20	60
SSCV25	25	70
SSCV32	32	80
SSCV40	40	85
SSCV50	50	100

### Stainless Steel 3 Piece Spring Check Valve

- 316 grade stainless steel
- BSP threaded ends
- Maximum pressure 580 PSI / 40 Bar
- No seal
- Stainless steel body and disc

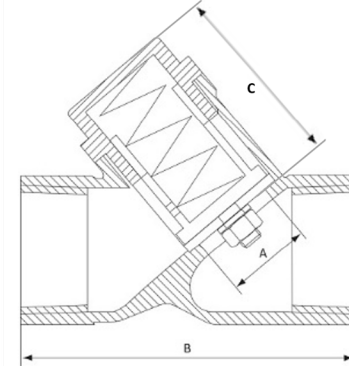


Part No.	A	B
SSCV083P	12	53
SSCV103P	12	53
SSCV153P	15	67
SSCV203P	20	69
SSCV253P	25	79
SSCV323P	32	92
SSCV403P	40	101
SSCV503P	50	115
SSCV803P	80	150
SSCV1003P	100	180

## Valves, Gauges & Switches Technical Information

### Stainless Steel Piston Check Valve

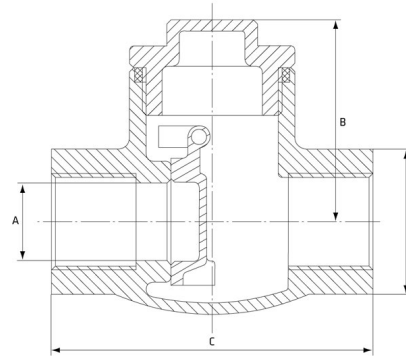
- 316 grade stainless steel
- BSP threaded ends
- Maximum pressure 800 PSI / 55 Bar
- Maximum working temperature 230°C
- PTFE seal maximum temperature 200°C



Part No.	A	B	C
<b>SSPCV15</b>	12.5	65.5	31
<b>SSPCV20</b>	18	75.5	40
<b>SSPCV25</b>	23.5	90.5	50
<b>SSPCV32</b>	31.4	111	55
<b>SSPCV40</b>	35.7	121	70.5
<b>SSPCV50</b>	45.5	151	87

### Stainless Steel Swing Check Valve

- 316 grade stainless steel
- BSP threaded ends
- Maximum pressure 230 PSI / 16 Bar
- No seal
- Stainless steel body and disc



Part No.	A	B	C	D
<b>SSWCV15</b>	15	41	65	26
<b>SSWCV20</b>	20	49.5	80	31
<b>SSWCV25</b>	25	55	92	39
<b>SSWCV32</b>	32	62.5	105	50
<b>SSWCV40</b>	40	70.5	120	58
<b>SSWCV50</b>	50	79.5	140	68
<b>SSWCV65</b>	65	93	180	87
<b>SSWCV80</b>	80	104	200	102
<b>SSWCV100</b>	100	140	240	128